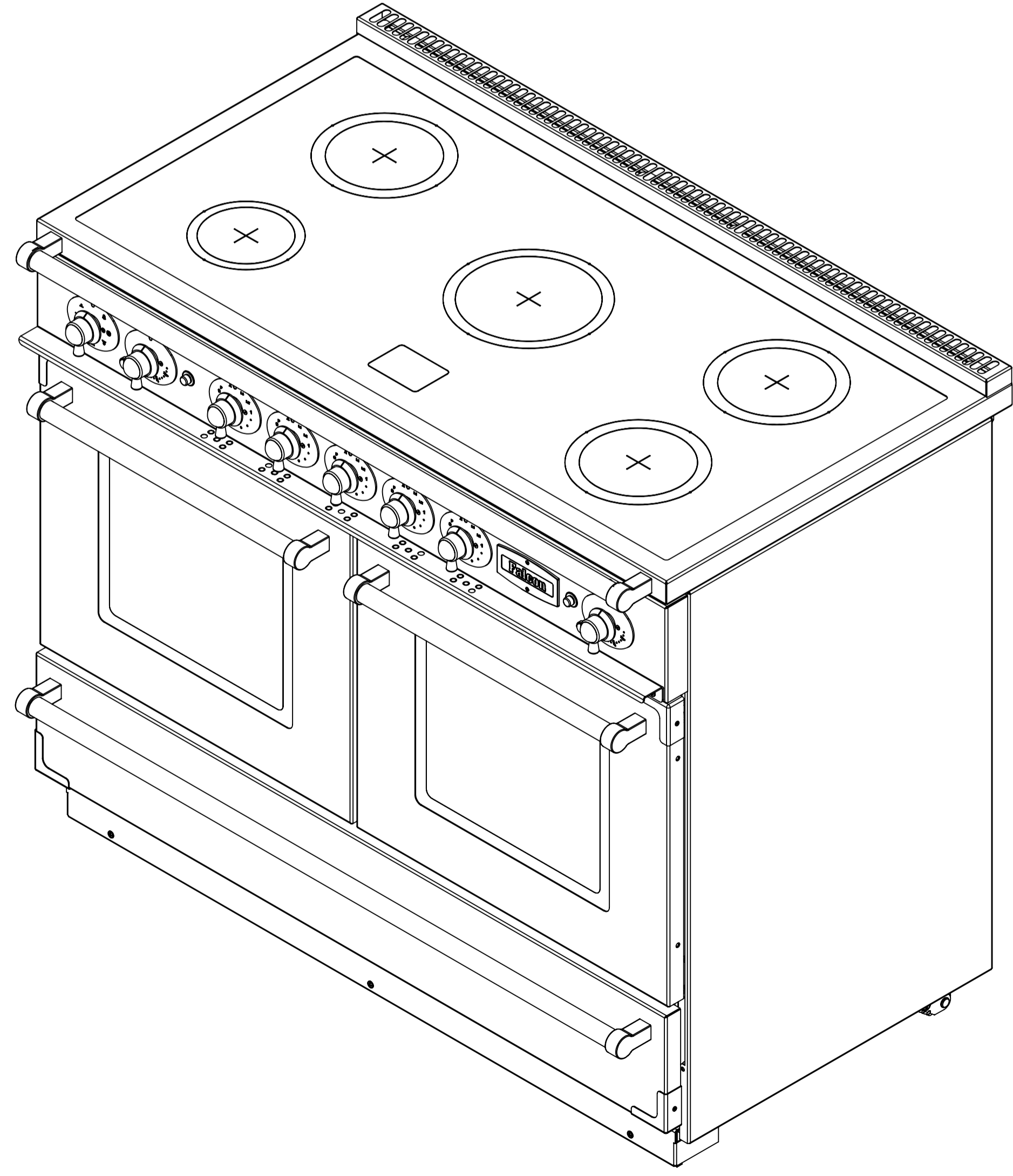
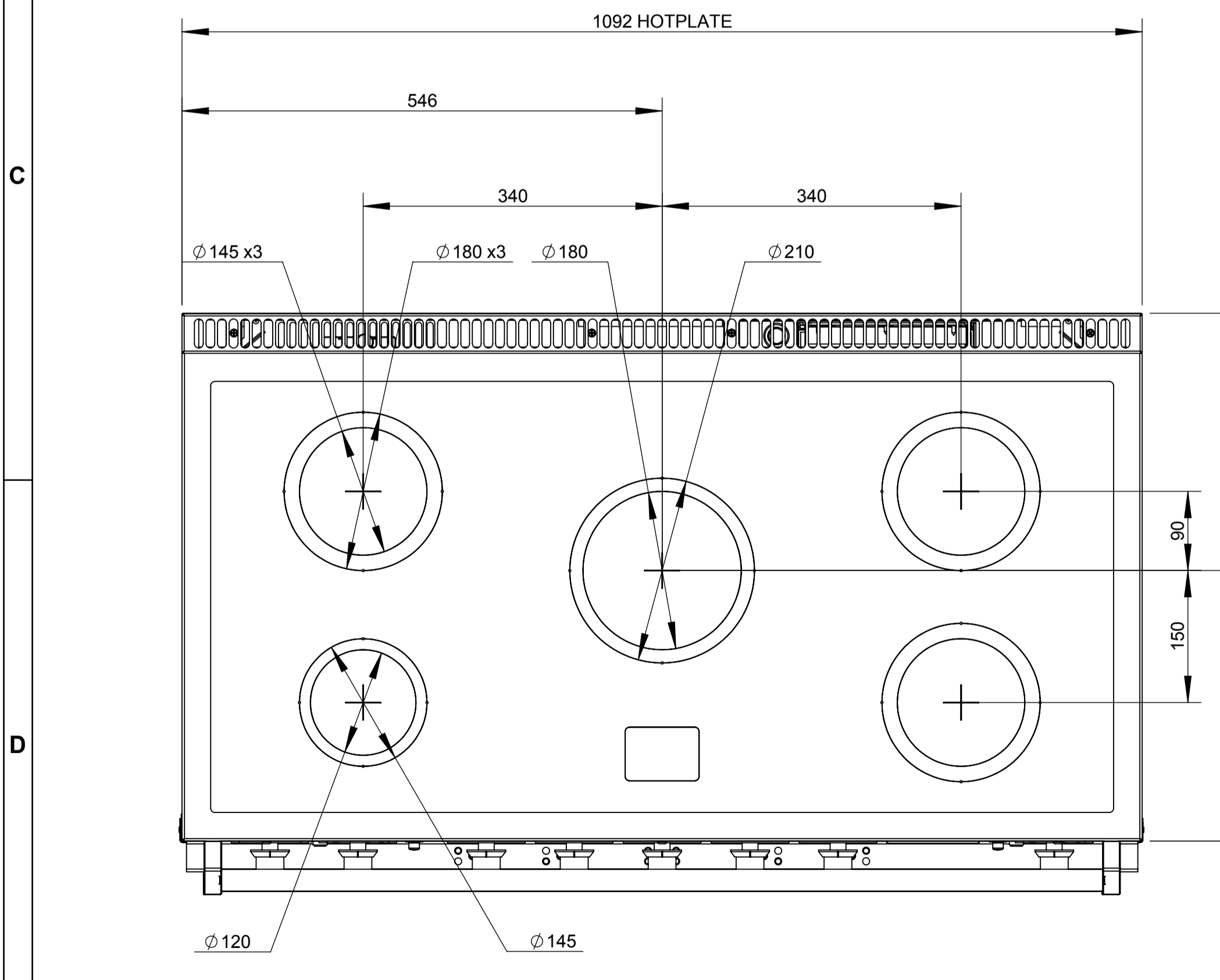


ISSUE No & DATE	DETAILS OF CHANGE, MODIFICATION RECORD NUMBER, ECR NUMBER.
01 04.02.13	PRODUCTION ISSUE
03A 27.1.14	ADDITIONAL DIMENSIONS ADDED FOR MASTER SPEC. INFORMATION SHEET. TAB



Single Level Listing					
Ref Number	Part number	Revision	Description	Quantity	Remarks
001	A059441	01	CORE ASSY CONTINENTAL INDUCTION	1	-
002	Q008361	02	DATA LABEL	1	-
003	ID08361	02	IDENT LABEL	2	-
004	A034335	01	INSTRUCTION PACK	1	-
005	A059299	01	HOB FRAME ASSY INDUCTION CHROME	1	-
006	A059496	01	FACIA PANEL ASSY SS CHR CONTL INDN	1	-
007	A040158	01	SHRINK WRAP PACK CONTL CERAMIC	1	-
008	A042863	02	DOOR/SIDE SET SS CH CONTL INDUCTION	1	-
009	A038529	01	STYLING KIT CONTAL ST1ST	1	-
010	A040161	03	OVEN FURNITURE SET CONTINENTAL CERAN	1	-
011	A034838	01	LABEL KIT CONTINENTAL CERAMIC	1	-

- NOTES:**
1. ALL DIMENSIONS ARE NOMINAL & ROUNDED TO THE NEAREST WHOLE NUMBER, UNLESS SHOWN OTHERWISE.
  2. ALL HEIGHT DIMENSIONS ARE BASED ON THE COOKER BEING SET AT ITS LOWEST LEVEL (IE. \*911.5 DIMENSION), THEY WILL CHANGE ACCORDINGLY WITH THE AMOUNT OF HEIGHT ADJUSTMENT.
  3. FOR DOCUMENTATION PURPOSES THE COOKER IS HEIGHT ADJUSTABLE FROM 910 TO 930
  4. THIS DRAWING IS FOR REFERENCE PURPOSES ONLY. A 'PDF' COPY OF THIS DRAWING FORMS PART OF THE 'APPLIANCE PRODUCT SPECIFICATION' HELD ON THE 'COMMON' DRIVE. CHANGES TO THIS DRAWING REQUIRE THE 'PDF' FILE TO BE UPDATED.

**AGA Rangemaster**  
 Clarence Street, Royal Leamington Spa  
 Warwickshire CV31 2AD, United Kingdom  
 Telephone: 44 (0)1926 457400  
 Direct Fax: 44 (0)1926 457611  
 Web: www.agarangemaster.co.uk

**DO NOT SCALE OR GUESS. IF IN DOUBT, ASK. ALL MATERIALS MUST COMPLY WITH RoHS & REACH.**

ALL MACHINING TO BE FREE FROM BURRS. TOLERANCES UNLESS OTHERWISE STATED:-  
 ANGULAR ±30°  
 WHOLE NUMBERS ±0.5  
 LINEAR DIMENSIONS ONE DECIMAL PLACE ±0.15  
 CIRCULAR HOLES ±0.15  
 CNC BEND RADI 1.25 -0  
 CNC BEND ANGLES ±2°

PROJECTION

A1 DRAWING BORDER CREATED 01/08/2012 BY D.J.B.

MATERIAL AND FINISH SPECIFICATION	SCALE 1:10	PROJECT 8361	ASSEMBLY
MATERIAL: SEE BOMS	TITLE FALC CONT 1092 IND G5 SS 8361		
FINISH: SEE BOMS	PART NUMBER a008361		
			SHEET 1 OF 1

THIS DRAWING IS THE PROPERTY OF RANGEMASTER AND REPRODUCTION IN WHOLE OR PART MAY NOT BE MADE WITHOUT THEIR WRITTEN CONSENT.